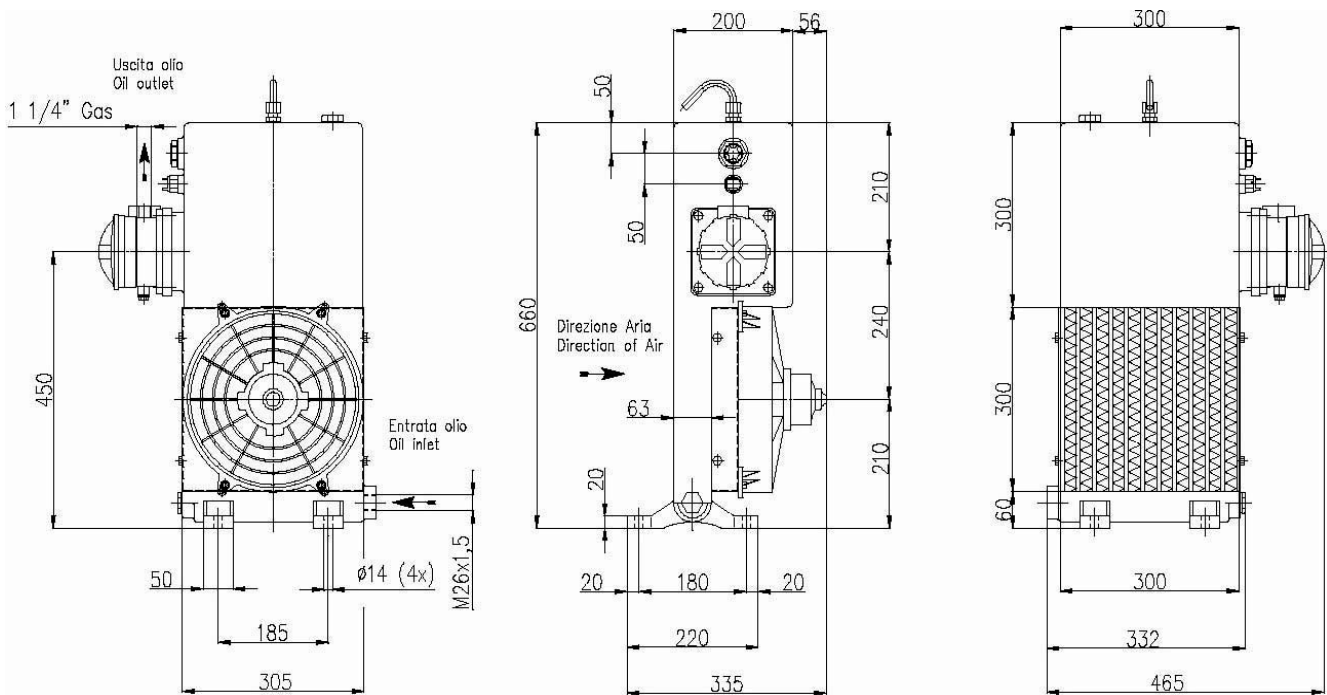


Air/oil coolers series CSK 2

Code	Tension V	Frequency Hz	Rpm	Power Kw	Dia.Fan Well mm.	dB (A)
CSK 2.12.0.00	12	DC	3350	0.250	255	70
CSK 2.24.0.00	24	DC	3350	0.250	255	70



COOLER TECHNICAL DATA		FAN MOTORS TECHNICAL DATA	
Max Working Pressure	: 5 bar	Tension	CA: DIN IEC38 DC: 12/24V
Max Working Temperature	: + 120° C	Max Working Temperature	: + 75° C + 75° C
Max oil Viscosity	: 220 CST	Min Working Temperature	: - 30° C
Main Material	: Alluminium	Main Material	: Steel : Fiber Glass
Cooling Fluid	: Compatibile Al	Motor protection	: IP 44 : IP 64
Colour	: Black	Colour	: Black

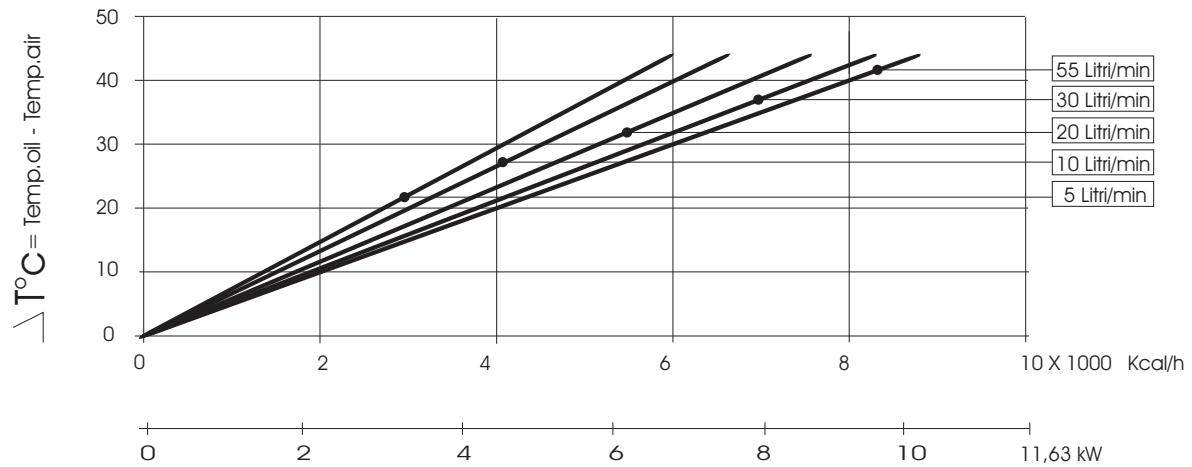
SPARE PARTS

Pos.	Description	Code
CSK 2.12.0.00		
01	Cooler	CSK2.00.0.00
02	Fan Motor(Air Flow Suction)	10.70104.1P
02	Fan Motor(Air Flow Blowing)	10.70106.1P
04	Cowl	15.66367.0

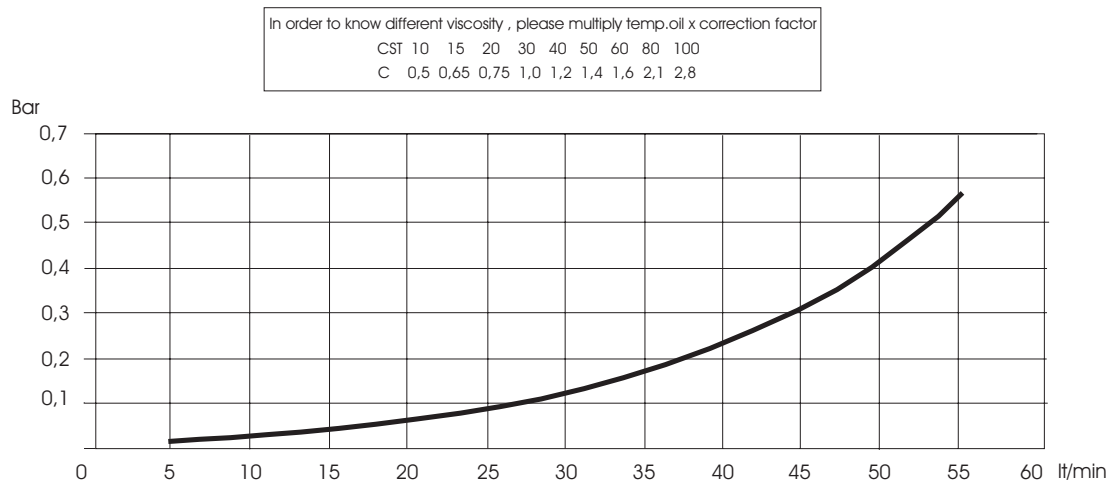
SPARE PARTS

Pos.	Description	Code
CSK 2.24.0.00		
01	Cooler	CSK2.00.0.00
02	Fan Motor(Air Flow Suction)	10.70105.1P
02	Fan Motor(Air Flow Blowing)	10.70107.1P
04	Cowl	15.66367.0

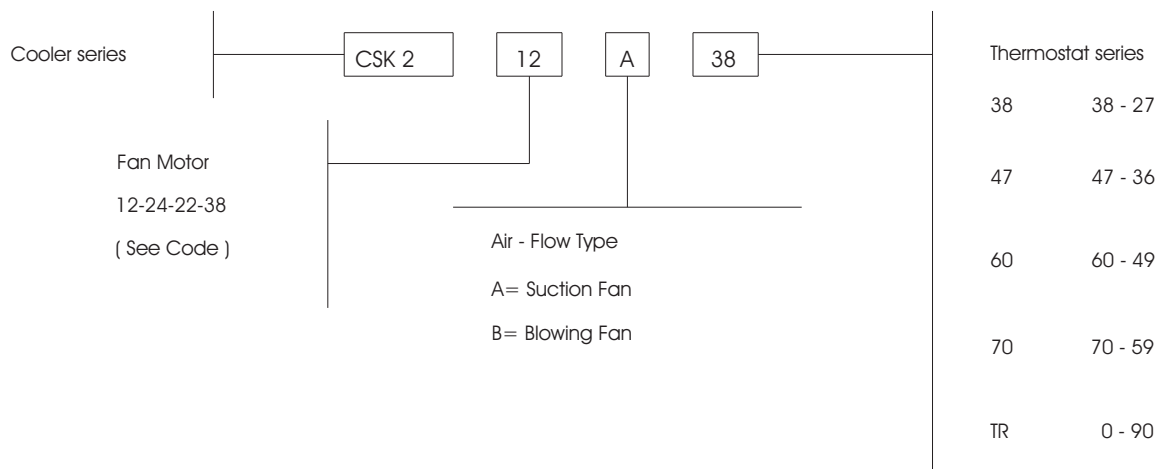
THERMIC EFFICIENCY



PRESSURE DROP



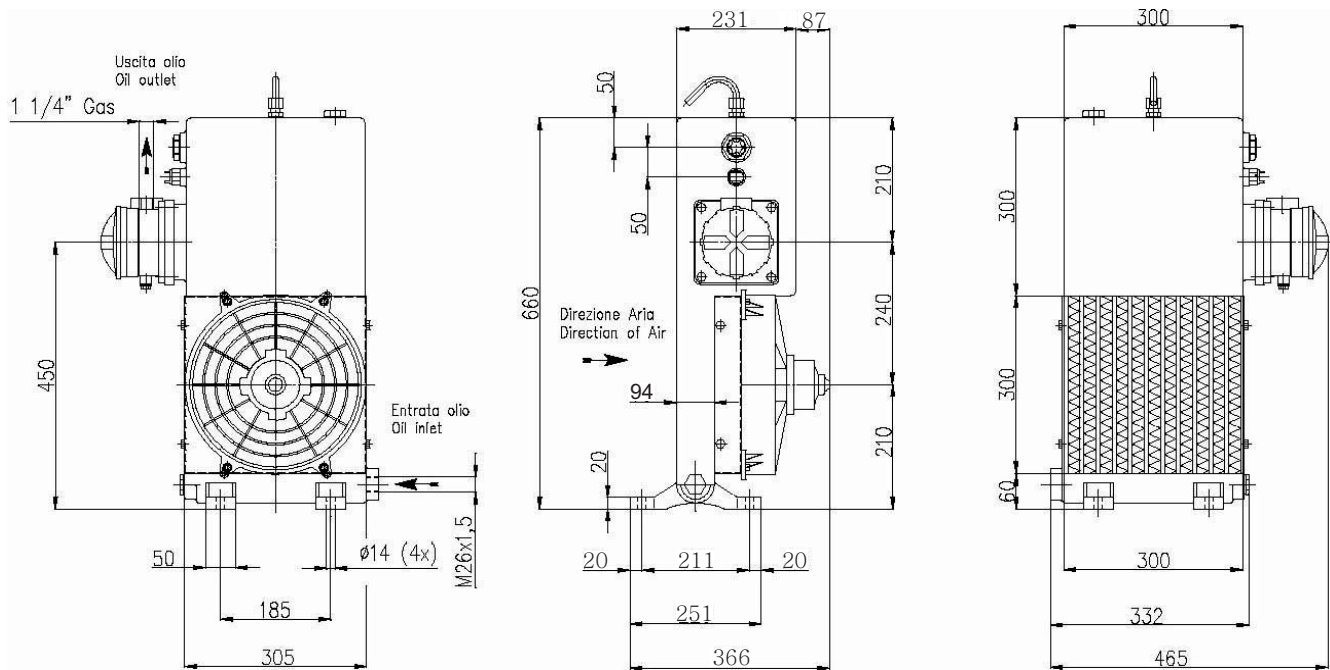
CODIFICATION



Technical characteristic herein mentioned are not binding and it can be modified from CIESSE without any notice

Air/oil coolers series CSK 3

Code	Tension V	Frequency Hz	Rpm	Power Kw	Dia.Fan Well mm.	dB (A)
CSK 3.12.0.00	12	DC	3350	0.250	255	70
CSK 3.24.0.00	24	DC	3350	0.250	255	70



COOLER TECHNICAL DATA		FAN MOTORS TECHNICAL DATA	
Max Working Pressure	: 5 bar	Tension	CA: DIN IEC38 DC: 12/24V
Max Working Temperature	: + 120° C	Max Working Temperature	: + 75° C + 75° C
Max oil Viscosity	: 220 CST	Min Working Temperature	: - 30° C
Main Material	: Aluminium	Main Material	: Steel : Fiber Glass
Cooling Fluid	: Compatbile Al	Motor protection	: IP 44 : IP 64
Colour	: Black	Colour	: Black

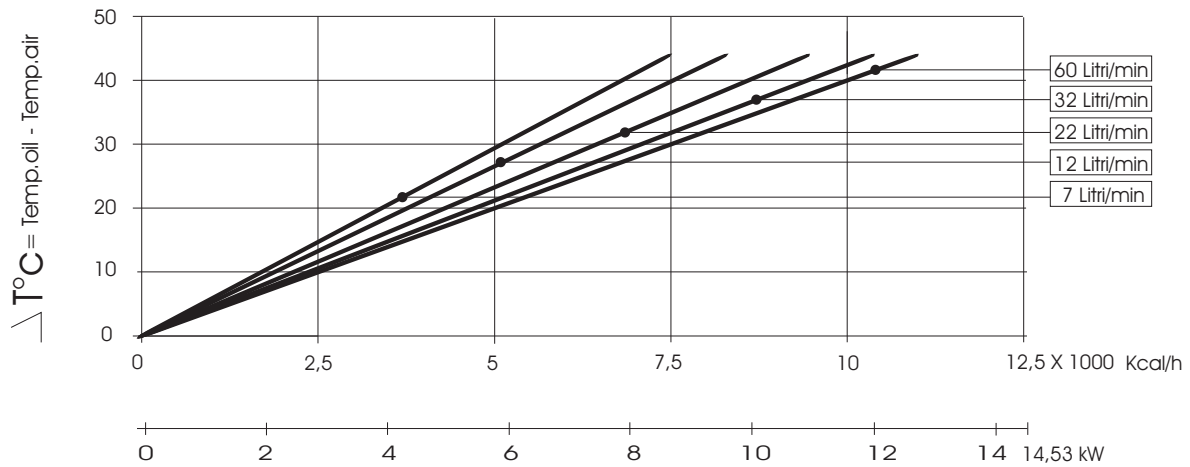
SPARE PARTS

Pos.	Description	Code
CSK 3.12.0.00		
01	Cooler	CSK3.00.0.00
02	Fan Motor(Air Flow Suction)	10.70104.1P
02	Fan Motor(Air Flow Blowing)	10.70106.1P
04	Cowl	15.66367.0

SPARE PARTS

Pos.	Description	Code
CSK 3.24.0.00		
01	Cooler	CSK3.00.0.00
02	Fan Motor(Air Flow Suction)	10.70105 .1P
02	Fan Motor(Air Flow Blowing)	10.70107 .1P
04	Cowl	15.66367.0

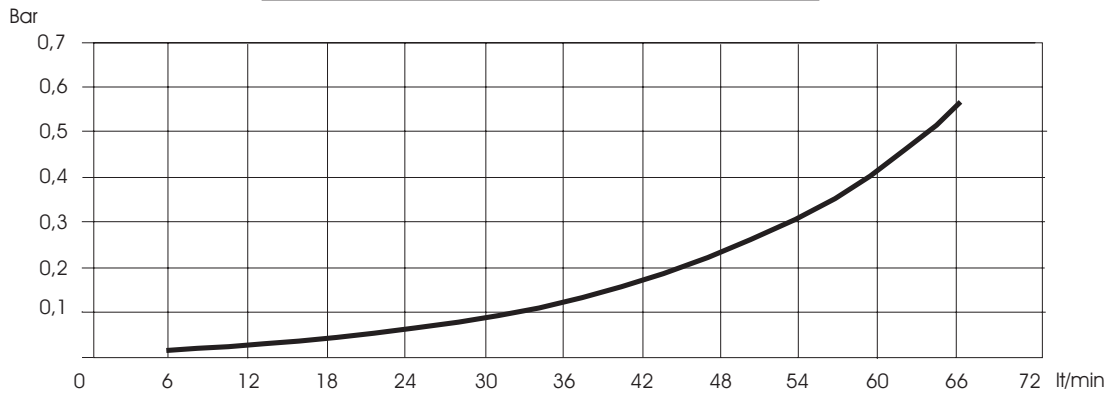
THERMIC EFFICIENCY



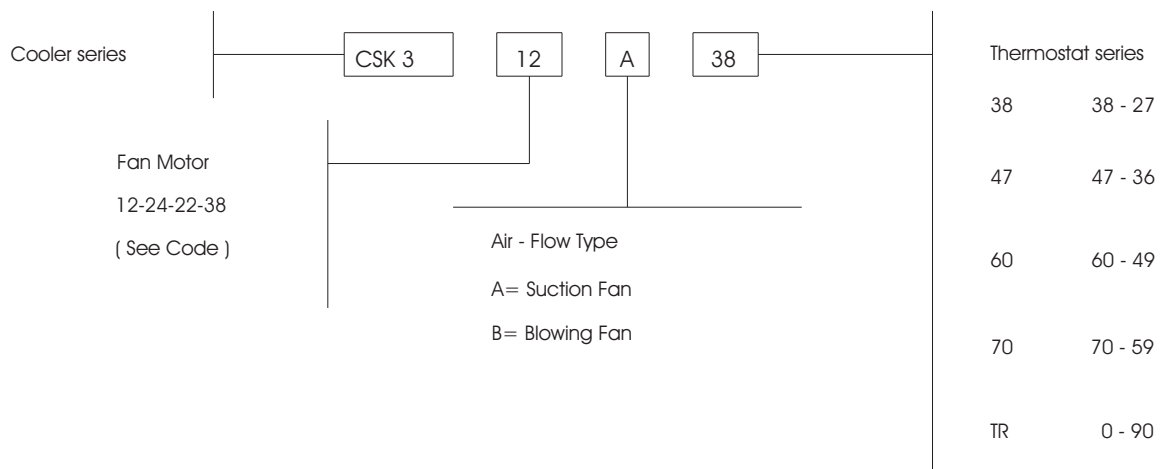
PRESSURE DROP

In order to know different viscosity, please multiply temp.oil x correction factor

CST	10	15	20	30	40	50	60	80	100
C	0,5	0,65	0,75	1,0	1,2	1,4	1,6	2,1	2,8



CODIFICATION



Technical characteristic herein mentioned are not binding and it can be modified from CIESSE without any notice