

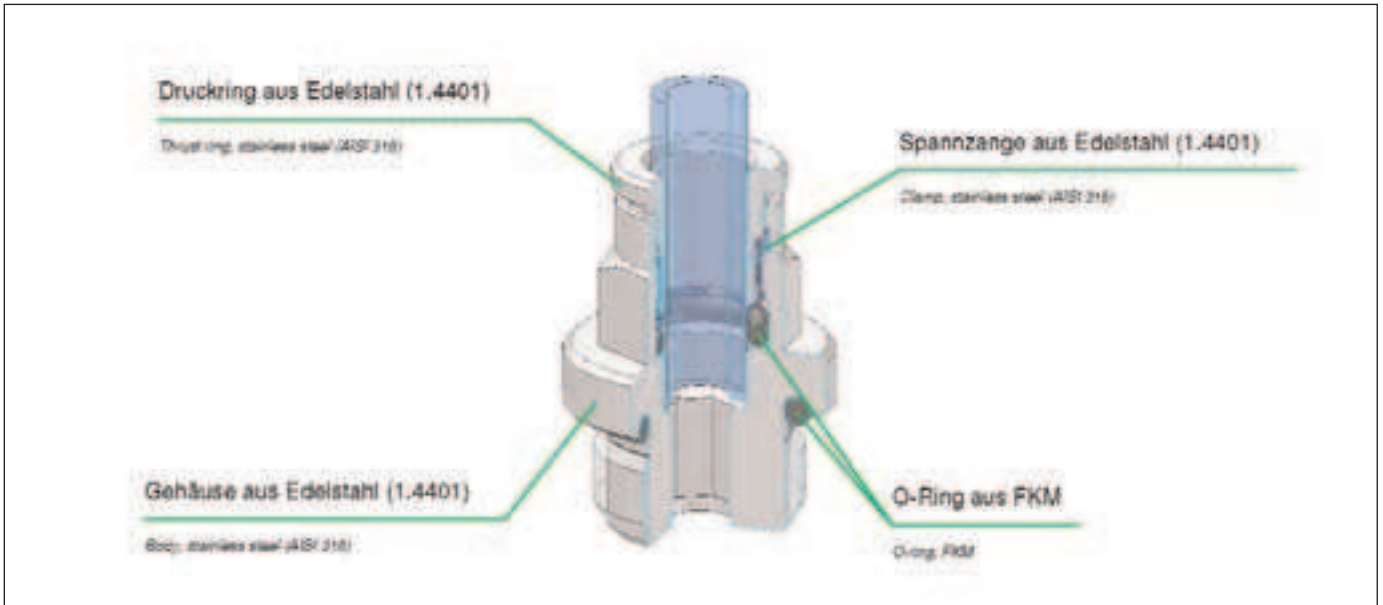
# STX – Steckverschraubungen aus Edelstahl

## STX – Push-in fittings stainless steel



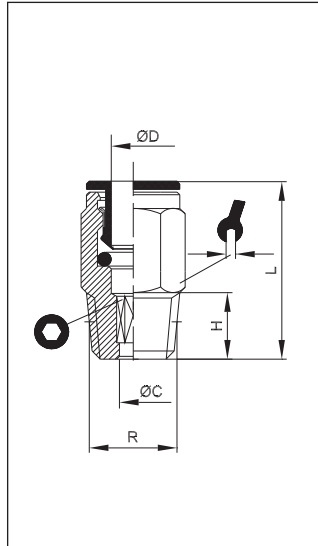
### Features

- ▶ Verschraubung komplett aus Edelstahl 1.4401
  - ▶ Schlauchmontage mit einem Handgriff
  - ▶ für Schläuche verschiedener Materialien (PU, PA)
  - ▶ kleine Baugröße und geringes Gewicht
  - ▶ FKM O-Ringe für hohe Temperaturen
  - ▶ modularer, flexibler Aufbau
- ▶ Fitting 100% stainless steel 1.4401
  - ▶ Tube assembly with one movement
  - ▶ For tubes in various materials (PU, PA)
  - ▶ Small-scale and low weight
  - ▶ FKM O-rings for high temperatures
  - ▶ Modular, flexible structure



## Technische Daten Technical data

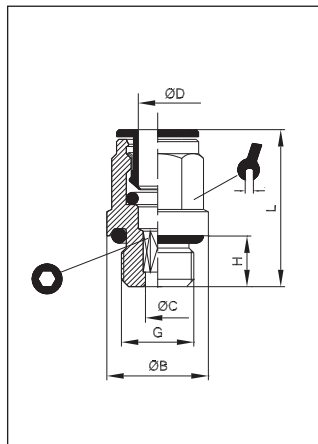
|                       |   |   |
|-----------------------|---|---|
| Betriebstemperatur    | -20°C bis +150°C  |   |
| Betriebsdruck         | bis 16bar   | abhängig vom Druckbereich des eingesetzten Schlauches         |
| Vakuum                | max 98%   |   |
| Werkstoffe            | Gehäuse Edelstahl AISI 316 (1.4401)<br>Dichtungen aus FKM<br>Spannzange aus Edelstahl AISI 316 (1.4401)<br>Druckring aus Edelstahl AISI 316L (1.4404)     |   |
| Gewinde               | zyl. Gew. DIN EN ISO 228<br>kon. Gew. DIN EN 10226 (DIN 2999)<br>metr. Gew. DIN ISO 261   | zylindrisch mit O-Ring-Abdichtung                             |
| Medium                | geölte und ungeölte Druckluft   | Medien, die mit den Materialien der Bauteile verträglich sind |
| Schläuche             | für Leitungen nach ISO 14743<br>Toleranzen für Außen-Ø<br>4 bis 8: ±0,1<br>Toleranzen für Außen-Ø<br>10 bis 14: ±0,15 (PU)<br>10 bis 14: ±0,1 (PA)        | empfohlene Materialien: PU, PA                                |
| Operating temperature | -20°C to +150°C   |   |
| Operating pressure    | Up to 16 bar  | Dependent on the pressure range of the tube used              |
| Vacuum                | max 98%   |   |
| Materials             | Stainless steel housing, AISI 316 (1.4401)<br>FKM seals<br>Stainless steel clamp, AISI 316 (1.4401)<br>Stainless steel thrust ring, AISI 316L (1.4404)    |   |
| Thread                | Cyl. thread, DIN EN ISO 228<br>Con. thread, DIN EN 10226 (DIN 2999)<br>Metr. thread, DIN ISO 261  | Cylindrical with O-ring seal                                  |
| Medium                | Lubricated and non-lubricated compressed air  | Mediums which are compatible with the component materials     |
| Tubes                 | For tubes in line with ISO 14743<br>Tolerances for external Ø<br>4 to 8: ±0.1<br>Tolerances for external Ø<br>10 to 14: ±0.15 (PU)<br>10 to 14: ±0.1 (PA) | Recommended materials: PU, PA                                 |



## STX 11

**gerade Einschraubverschraubung kon.**  
Straight male adaptor con.

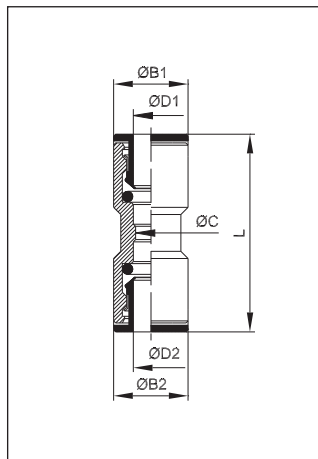
| ITV    | ØD | R                | ØB | ØC   | H    | L  |    |    |    |
|--------|----|------------------|----|------|------|----|----|----|----|
| 110418 | 4  | R <sup>1/8</sup> | 9  | 3    | 6,5  | 19 | 3  | 10 | 50 |
| 110414 | 4  | R <sup>1/4</sup> | 9  | 3,4  | 11   | 20 | 3  | 14 | 50 |
| 110618 | 6  | R <sup>1/8</sup> | 11 | 5    | 7,5  | 21 | 5  | 12 | 50 |
| 110614 | 6  | R <sup>1/4</sup> | 11 | 5    | 11   | 21 | 5  | 14 | 50 |
| 110818 | 8  | R <sup>1/8</sup> | 13 | 6    | 7,5  | 26 | 6  | 14 | 50 |
| 110814 | 8  | R <sup>1/4</sup> | 13 | 6    | 11   | 23 | 6  | 14 | 50 |
| 111014 | 10 | R <sup>1/4</sup> | 15 | 8,3  | 11   | 31 | 8  | 16 | 50 |
| 111038 | 10 | R <sup>3/8</sup> | 15 | 8,3  | 11,5 | 27 | 8  | 17 | 50 |
| 111238 | 12 | R <sup>3/8</sup> | 18 | 10,4 | 11,5 | 27 | 10 | 18 | 50 |
| 111212 | 12 | R <sup>1/2</sup> | 18 | 10,4 | 14   | 27 | 10 | 22 | 50 |



## STX 12

**gerade Einschraubverschraubung zyl.**  
Straight male adaptor (parallel)

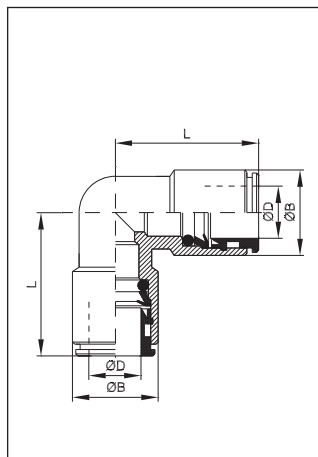
| ITV    | ØD | G                | ØB | ØC  | H | L    |   |    |    |
|--------|----|------------------|----|-----|---|------|---|----|----|
| 120405 | 4  | M5               | 8  | 2,5 | 4 | 20   | - | 9  | 10 |
| 120418 | 4  | G <sup>1/8</sup> | 13 | 2,6 | 6 | 20   | 3 | 9  | 10 |
| 120618 | 6  | G <sup>1/8</sup> | 13 | 4,2 | 6 | 24   | 4 | 13 | 10 |
| 120614 | 6  | G <sup>1/4</sup> | 16 | 4,2 | 8 | 21,5 | 4 | 16 | 10 |
| 120818 | 8  | G <sup>1/8</sup> | 13 | 5,2 | 6 | 26,5 | 5 | 13 | 10 |
| 120814 | 8  | G <sup>1/4</sup> | 16 | 6,2 | 8 | 25   | 6 | 16 | 10 |



## STX 26

**gerader Verbinder**  
Straight connector

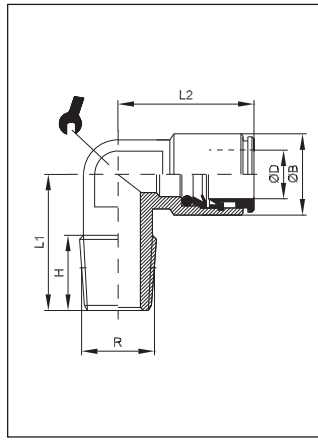
| ITV    | ØD1 | ØD2 | ØB1 | ØB2 | ØC | L  |    |
|--------|-----|-----|-----|-----|----|----|----|
| 260404 | 4   | 4   | 9   | 9   | 3  | 32 | 10 |
| 260606 | 6   | 6   | 11  | 11  | 5  | 33 | 10 |
| 260808 | 8   | 8   | 13  | 13  | 7  | 39 | 10 |
| 261010 | 10  | 10  | 15  | 15  | 9  | 39 | 10 |
| 261212 | 12  | 12  | 18  | 18  | 11 | 38 | 10 |



## STX 28

**Winkelverbinder**  
Elbow connector

| ITV    | ØD | ØB | L  |    |
|--------|----|----|----|----|
| 280404 | 4  | 9  | 17 | 10 |
| 280606 | 6  | 12 | 20 | 10 |
| 280808 | 8  | 14 | 21 | 10 |
| 281010 | 10 | 16 | 25 | 10 |
| 281212 | 12 | 19 | 27 | 10 |

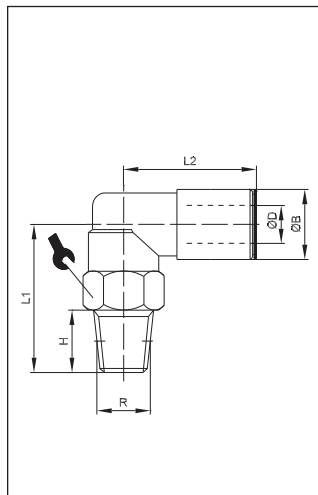


## STX 14

### Winkeleinschraubverschraubung konisch

Elbow taper male adaptor con.

| ITV    | ØD | R                | ØB | H   | L1 | L2 |    |    |
|--------|----|------------------|----|-----|----|----|----|----|
| 140418 | 4  | R <sup>1/8</sup> | 9  | 7,5 | 16 | 17 | 9  | 10 |
| 140618 | 6  | R <sup>1/8</sup> | 12 | 7,5 | 16 | 20 | 9  | 10 |
| 140614 | 6  | R <sup>1/4</sup> | 12 | 11  | 20 | 20 | 11 | 10 |
| 140818 | 8  | R <sup>1/8</sup> | 14 | 7,5 | 17 | 21 | 11 | 10 |
| 140814 | 8  | R <sup>1/4</sup> | 14 | 11  | 20 | 21 | 11 | 10 |

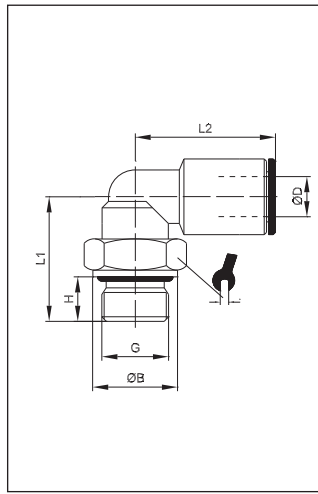


## STX 15

### Winkeleinschraubverschraubung konisch

Swivel elbow adaptor

| ITV    | ØD | R                | ØB | H    | L1   | L2   |    |    |
|--------|----|------------------|----|------|------|------|----|----|
| 150418 | 4  | R <sup>1/8</sup> | 9  | 7    | 20   | 20   | 10 | 10 |
| 150618 | 6  | R <sup>1/8</sup> | 11 | 7    | 20   | 21   | 13 | 10 |
| 150614 | 6  | R <sup>1/4</sup> | 11 | 11   | 25   | 21   | 14 | 10 |
| 150818 | 8  | R <sup>1/8</sup> | 13 | 7    | 20   | 24   | 13 | 10 |
| 150814 | 8  | R <sup>1/4</sup> | 13 | 11   | 25   | 24   | 14 | 10 |
| 151014 | 10 | R <sup>1/4</sup> | 16 | 11   | 26,5 | 25,5 | 16 | 10 |
| 151038 | 10 | R <sup>3/8</sup> | 16 | 11,5 | 27   | 25,5 | 17 | 10 |
| 151238 | 12 | R <sup>3/8</sup> | 19 | 11,5 | 30,5 | 28   | 20 | 10 |
| 151212 | 12 | R <sup>1/2</sup> | 19 | 14   | 33,5 | 28   | 22 | 10 |

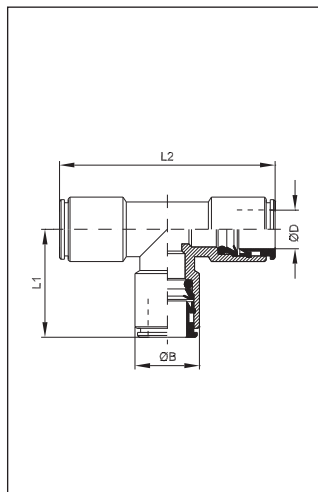


## STX 16

### Winkeleinschraubverschraubung zylindrisch

Swivel elbow parallel adaptor

| ITV    | ØD | G                | ØB | H   | L1   | L2 |    |    |
|--------|----|------------------|----|-----|------|----|----|----|
| 160405 | 4  | M5               | 8  | 4   | 14,5 | 17 | 9  | 10 |
| 160418 | 4  | G <sup>1/8</sup> | 13 | 5,5 | 19,5 | 20 | 13 | 10 |
| 160618 | 6  | G <sup>1/8</sup> | 13 | 5,5 | 19,5 | 21 | 13 | 10 |
| 160614 | 6  | G <sup>1/4</sup> | 16 | 6,5 | 20,5 | 21 | 16 | 10 |
| 160818 | 8  | G <sup>1/8</sup> | 13 | 5,5 | 19,5 | 24 | 13 | 10 |
| 160814 | 8  | G <sup>1/4</sup> | 16 | 6,5 | 20,5 | 24 | 16 | 10 |

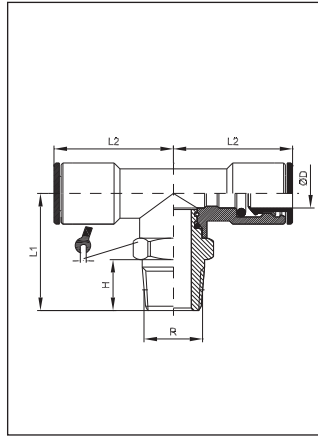


## STX 29

### T-Verbinder

T-connector

| ITV    | ØD | ØB   | L1   | L2   |    |
|--------|----|------|------|------|----|
| 290404 | 4  | 9,0  | 17,0 | 34,0 | 10 |
| 290606 | 6  | 12,0 | 20,0 | 40,0 | 10 |
| 290808 | 8  | 14,0 | 21,0 | 42,0 | 10 |
| 291010 | 10 | 16,0 | 25,0 | 50,0 | 10 |
| 291212 | 12 | 19,0 | 27,0 | 54,0 | 10 |

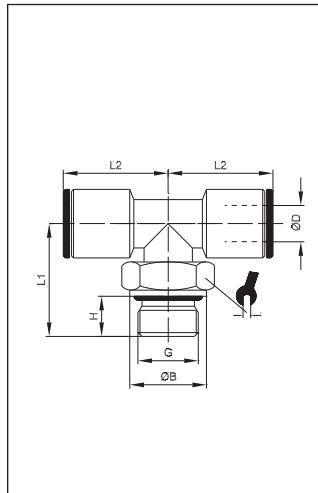


## STX 20

### T-Verschraubung drehbar konisch

Swivel t-adaptor con.

| ITV    | ØD | R                | ØB | H    | L1   | L2   |    |    |
|--------|----|------------------|----|------|------|------|----|----|
| 200418 | 4  | R <sup>1/8</sup> | 9  | 7,5  | 21,5 | 17   | 10 | 10 |
| 206018 | 6  | R <sup>1/8</sup> | 12 | 7,5  | 24,5 | 21   | 13 | 10 |
| 206014 | 6  | R <sup>1/4</sup> | 12 | 11   | 28,5 | 21   | 14 | 10 |
| 200818 | 8  | R <sup>1/8</sup> | 14 | 7    | 24,5 | 21,5 | 13 | 10 |
| 208014 | 8  | R <sup>1/4</sup> | 13 | 11   | 25   | 23,5 | 14 | 10 |
| 201014 | 10 | R <sup>1/4</sup> | 16 | 11   | 32   | 24   | 16 | 10 |
| 201038 | 10 | R <sup>3/8</sup> | 16 | 11,5 | 32,5 | 24   | 18 | 10 |

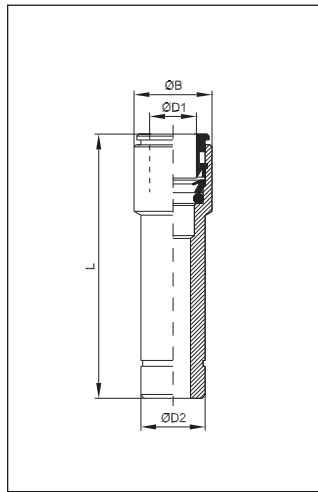


## STX 21

### T-Verschraubung drehbar zylindrisch

Swivel t-adaptor, parallel

| ITV    | ØD | G                | ØB | H   | L1   | L2   |    |    |
|--------|----|------------------|----|-----|------|------|----|----|
| 210405 | 4  | M5               | 8  | 4   | 18   | 17   | 9  | 10 |
| 210418 | 4  | G <sup>1/8</sup> | 13 | 5   | 20   | 17   | 13 | 10 |
| 210618 | 6  | G <sup>1/8</sup> | 13 | 5,5 | 19,5 | 22   | 13 | 10 |
| 210614 | 6  | G <sup>1/4</sup> | 16 | 6,5 | 24,5 | 21   | 16 | 10 |
| 210818 | 8  | G <sup>1/8</sup> | 13 | 5,5 | 19,5 | 23,5 | 13 | 10 |
| 210814 | 8  | G <sup>1/4</sup> | 16 | 6,5 | 20,5 | 23,5 | 16 | 10 |

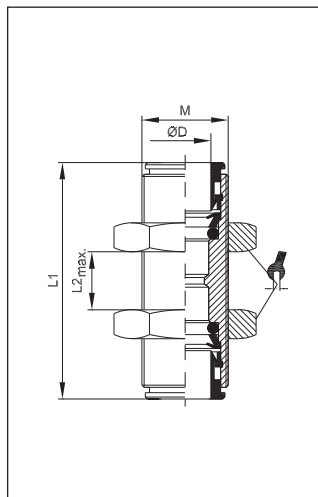


## STX 25

### Reduzier-Stecker

Reducer

| ITV    | ØD1 | ØD2 | ØB | L    |    |
|--------|-----|-----|----|------|----|
| 250406 | 4   | 6   | 9  | 31   | 10 |
| 250608 | 6   | 8   | 12 | 33   | 10 |
| 250810 | 8   | 10  | 14 | 34,5 | 10 |

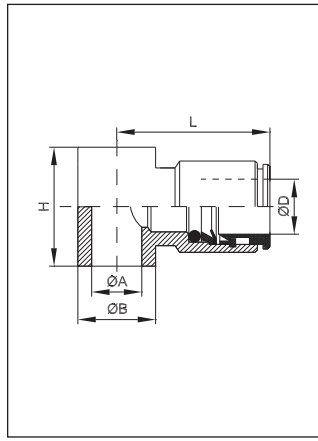


## STX 27

### Schottverschraubung

Bulkhead union

| ITV    | ØD | M     | L1   | L2 <sub>max</sub> |    |    |
|--------|----|-------|------|-------------------|----|----|
| 270404 | 4  | M12x1 | 27   | 11                | 15 | 10 |
| 270606 | 6  | M14x1 | 32,5 | 16                | 17 | 10 |
| 270808 | 8  | M16x1 | 33   | 17                | 19 | 10 |
| 271010 | 10 | M18x1 | 37,5 | 19                | 21 | 10 |
| 271212 | 12 | M20x1 | 39,5 | 20                | 24 | 10 |

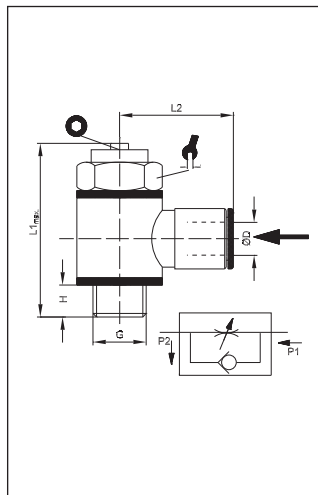


## STX 35

**Ringstück**  
Single banjo body

kombinierbar mit Hohlsschraube STX 31  
for screw STX 31

| ITV    | ØD | ØA               | ØB | H  | L    |  |    |
|--------|----|------------------|----|----|------|--|----|
| 350418 | 4  | G <sup>1/8</sup> | 14 | 15 | 19,5 |  | 10 |
| 350618 | 6  | G <sup>1/8</sup> | 14 | 15 | 22   |  | 10 |
| 350614 | 6  | G <sup>1/4</sup> | 18 | 17 | 23,5 |  | 10 |
| 350818 | 8  | G <sup>1/8</sup> | 14 | 15 | 22,5 |  | 10 |
| 350814 | 8  | G <sup>1/4</sup> | 18 | 17 | 24   |  | 10 |

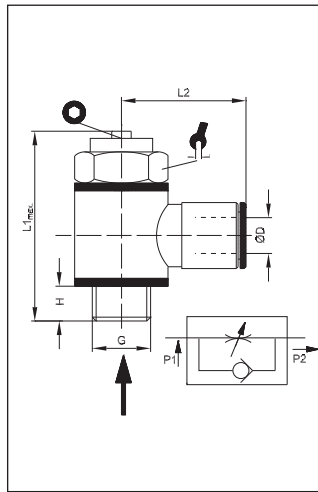


## STX 40

**Drosselrückschlagventil mit Ringstück**  
**Typ A Zuluft drosselbar**

Unidirectional flow regulator type A for valves

| ITV    | ØD | G                | H   | L1max | L2   |    |     |    |
|--------|----|------------------|-----|-------|------|----|-----|----|
| 400418 | 4  | G <sup>1/8</sup> | 5,5 | 36    | 19,5 | 14 | 2,5 | 10 |
| 400618 | 6  | G <sup>1/8</sup> | 5,5 | 36    | 22   | 14 | 2,5 | 10 |
| 400614 | 6  | G <sup>1/4</sup> | 6,5 | 42    | 23,5 | 17 | 3   | 10 |
| 400818 | 8  | G <sup>1/8</sup> | 5,5 | 36    | 22,5 | 14 | 2,5 | 10 |
| 400814 | 8  | G <sup>1/4</sup> | 6,5 | 42    | 24   | 17 | 3   | 10 |

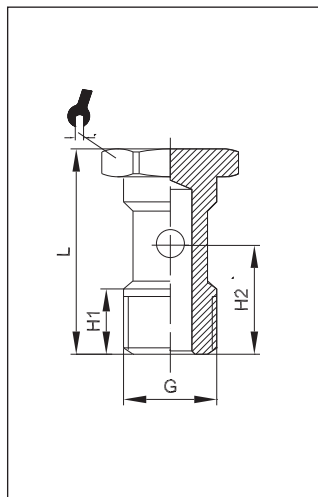


## STX 41

**Drosselrückschlagventil mit Ringstück**  
**Typ B Abluft drosselbar**

Unidirectional flow regulator type B for cylinders

| ITV    | ØD | G                | H   | L1max | L2   |    |     |    |
|--------|----|------------------|-----|-------|------|----|-----|----|
| 410418 | 4  | G <sup>1/8</sup> | 5,5 | 36    | 19,5 | 14 | 2,5 | 10 |
| 410618 | 6  | G <sup>1/8</sup> | 5,5 | 36    | 22   | 14 | 2,5 | 10 |
| 410614 | 6  | G <sup>1/4</sup> | 6,5 | 42    | 23,5 | 17 | 3   | 10 |
| 410818 | 8  | G <sup>1/8</sup> | 5,5 | 36    | 22,5 | 14 | 2,5 | 10 |
| 410814 | 8  | G <sup>1/4</sup> | 6,5 | 42    | 24   | 17 | 3   | 10 |



## STX 31

**Hohlsschraube 1-fach, inkl. 2x Teflon-Dichtungen**  
Screw, incl. 2x Teflon-seals

| ITV    | G                | H1  | H2   | L    |    |    |
|--------|------------------|-----|------|------|----|----|
| 310018 | G <sup>1/8</sup> | 8   | 15,5 | 29   | 14 | 50 |
| 310014 | G <sup>1/4</sup> | 9,5 | 17,5 | 32,5 | 17 | 50 |